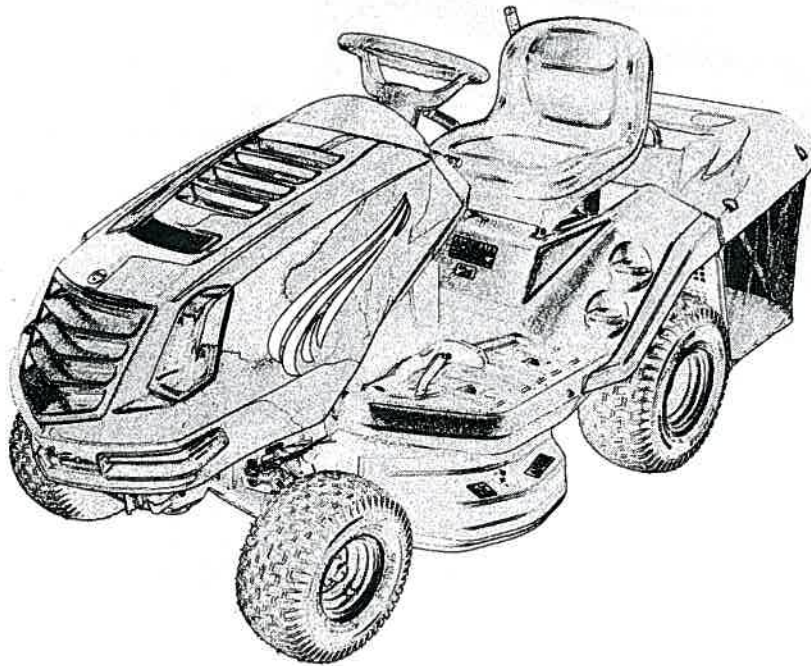


# ERSATZTEILLISTE

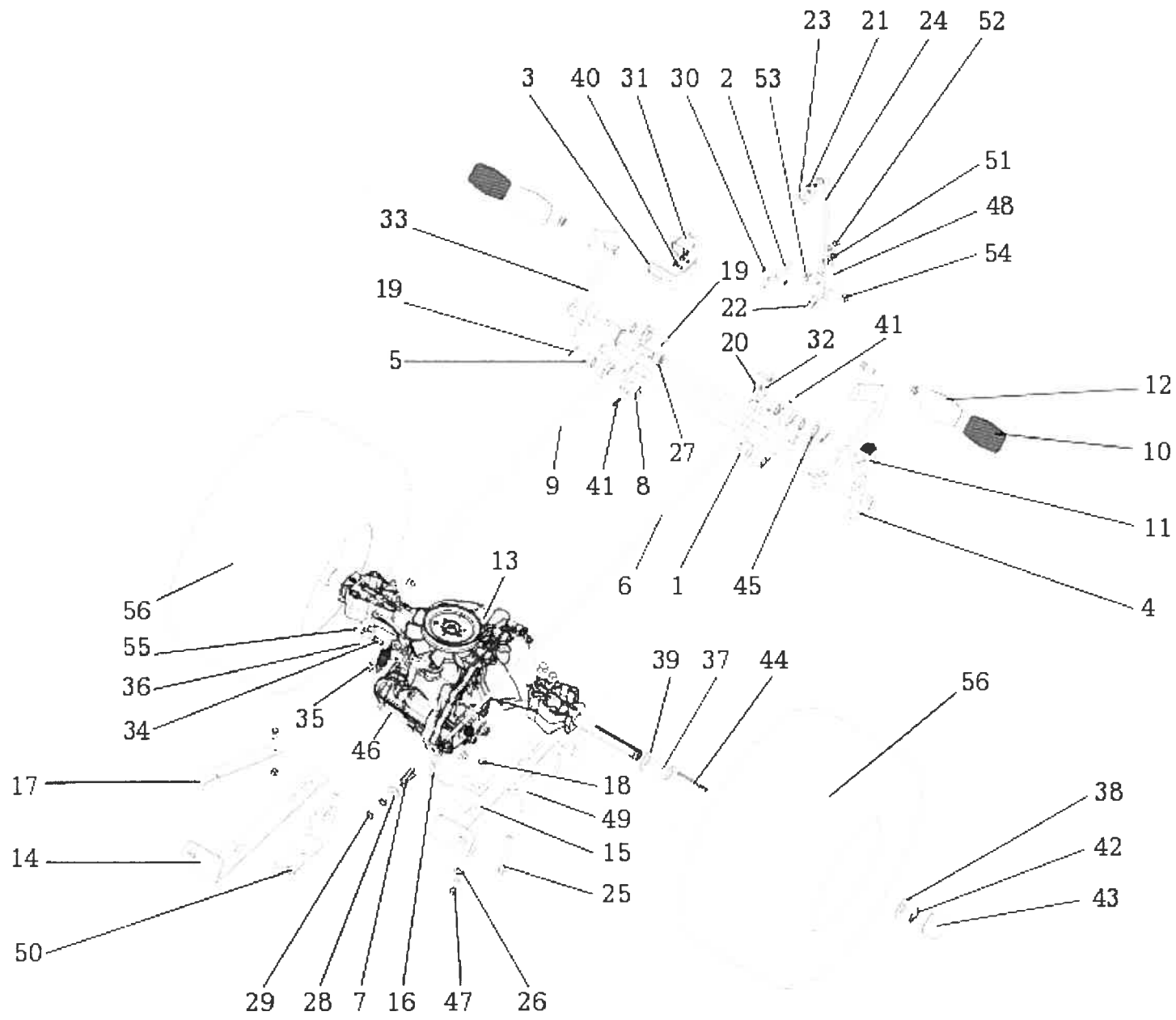
**TAIFUN**

**1300-92**

**Bj. 2012**



**HEYKING**  
**LANDMASCHINEN**  
**GARTENGERÄTE**



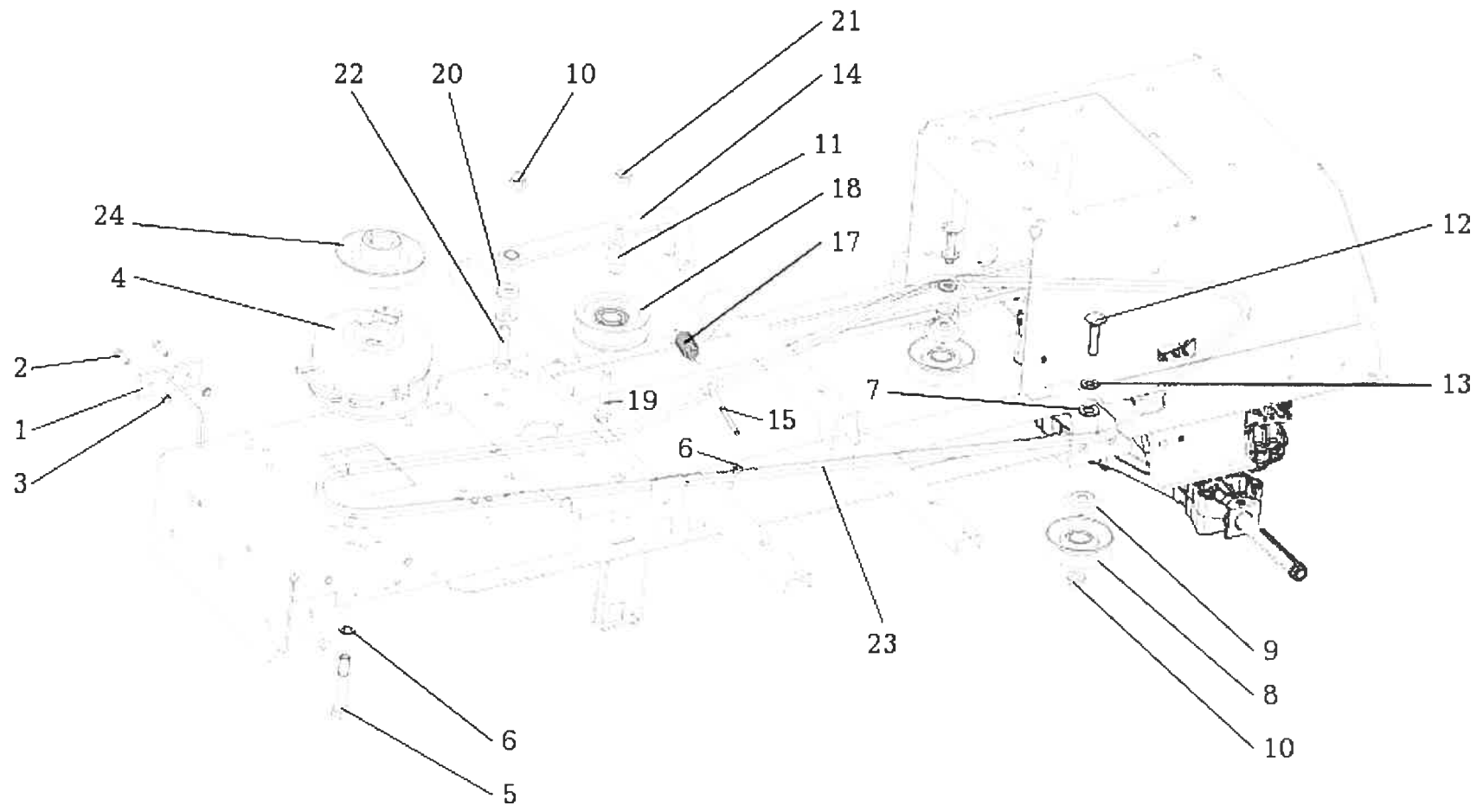
## KAJ18-12-0001- Drive and brake

control

N722643023	Bushing 0-9462-202	1
S532037322233	Latch	1
S532113408253	Switch holder	3
S532980442593	Drive lever	4
S532095212883	Pedal spacer	5
N532151184	Brake rod 0-8041-327	6
N315231171	Spring 0-9746-449	7
S532980364823	Arm complete	8
N532151197	Drive rod 9-8042-238	9
S532980517423	Reverse gear pedal	10
N273151013	Pedal cover 0-8832-234	11
N273151011	Pedal coating 65 137 Favorit	12
N532991062	Gearbox HYDRO GEAR T2	13
S532113408273	Left holder	14
S532113408263	Right holder	15
S532113425343	Gearbox holder	16
S532080403183	BYPASS ROD	17
N532150290	Nut M 8 DIN 6926 8 Zinc	18
N311338517	Spindle 3.2x25	19
N311338516	Spindle 3.2x20	20
N273192027	Washer 0-9620-392 T5	21
N311338513	Spindle 1.6x12	22
N532150993	Rotary button black Nylon KTSR	23
N532151186	Parking brake rod 9-8042-236	24
N309501567	Screw M 8X90	25
N311210503	Washer 8.4	26
N311210504	Washer 10.5	27
N311212517	Washer 9 Zinc	28
N311120520	Nut M 8	29
N311210501	Washer 5.3	30
N532150994	Switch DELTA 6710-01B	31
S532980365393	Foot	32
S532980442583	Brake pedal	33
N442073017	Spherical pin 13 DIN 71803 C Zinc	34
N311129520	Nut M8 DIN 6923 8 Zinc. toothed	35
N442073018	Safety U-strap 13 DIN 71805 S Zin	36
S532195203773	Spacer	37
S532092208363	Washer	38
S532092208153	Washer	39
N309315012	Screw ST 4,2X13 DIN7504-K BN1880	40
N315238037	Spring Pin 5X22	41
N311732023	Lock ring E-75 3/4	42
N532150915	Cover 0-8025-237	43
S532092312163	Spring	44
N311210507	Washer 17	45
N309503556	Screw M5x35	46
N309503512	Screw M 8X25	47
S532113408283	Ratchet holder	48
S532113408303	Lifting holder right	49
S532113408293	Lifting holder left	50
N311129513	Nut M 6	51
N309503508	Screw M6X16	52
N309503518	Screw M8X20	53

KAJ18-12-0001- Drive and brake

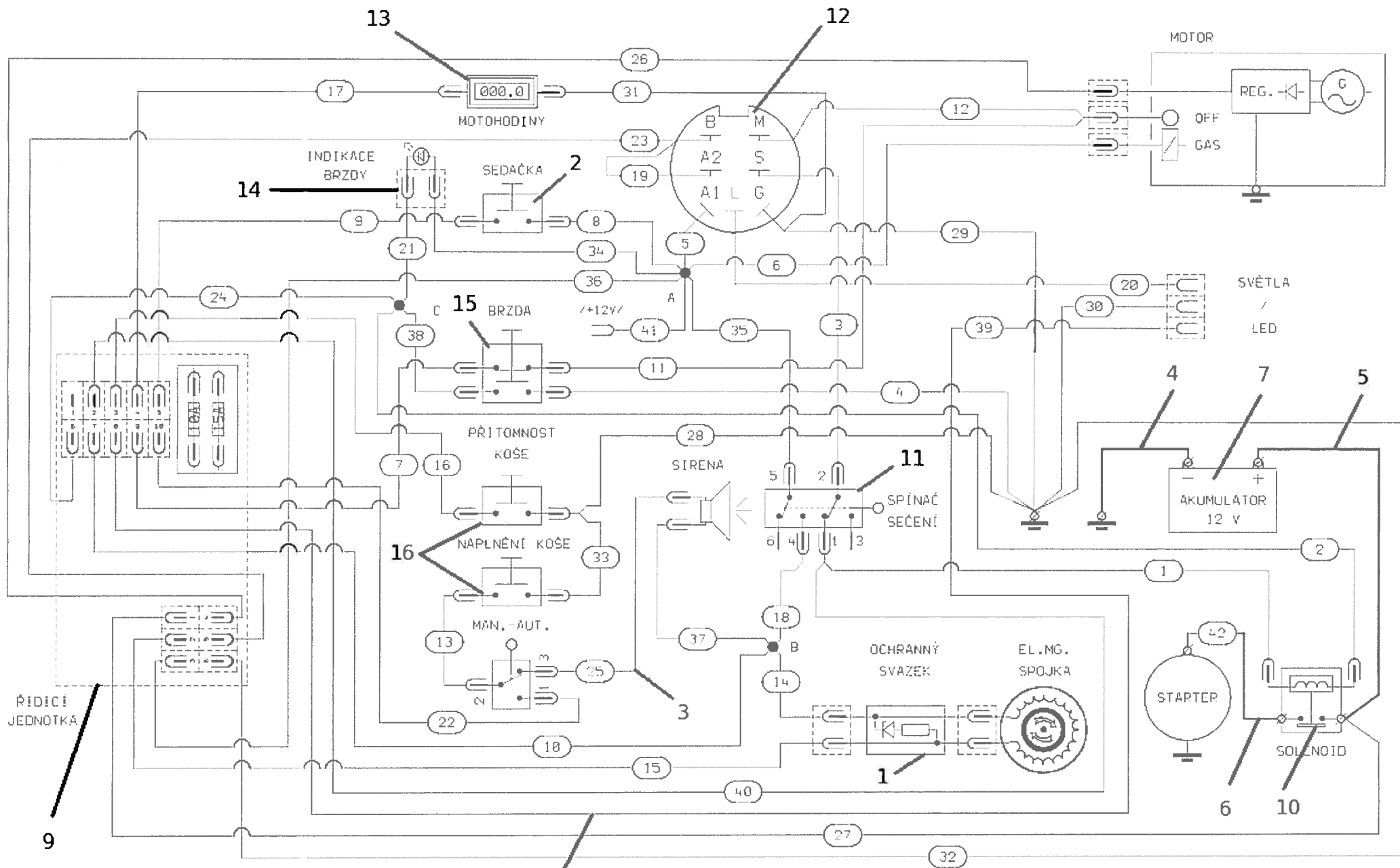
N311129501	Nut M 8	54
N442073016	Ball bushing 13 DIN71805B Zinc	55
N532940160	Wheel 18X8.50-8 2PR TURF SAVER	56



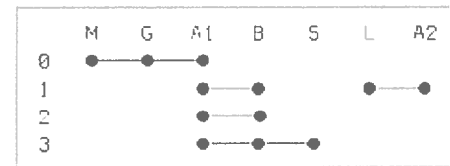
## KAJ22-12-0003- Elmg.Clutch and

## el. Clutch and pulley

S532936362263	backstop	1
N309503548	Screw M 6X20	2
N311129525	Nut M 6 DIN 6926	3
N532151196	ELEKTROMAG. CLUTCH I-5217-38	4
N309579511	SCREEW UNF 7/16"X3" 10.9 ZINK	5
N311219516	Washer NL 11 glued Dacromet	6
N311212521	Washer 11 Zinc	7
N532150824	Pulley Compensa C-00237/1	8
N532151119	Cover C-00693 Compensa	9
N311129523	Nut M 10 DIN 6926 Zinc	10
S532094215953	CASE	11
N309019531	Screw M10X45 021319 Zinc	12
N311210505	Washer 13	13
S532913323033	Tensioner pulley holder	14
N309578523	Screw M 6x80 with eye BN1006 Zinc	15
N311129513	Nut M 6	16
N315231111	Spring TZ 2x14x62 Zinc	17
N532150733	Pulley plastic BBT B18 337	18
N309203525	Screw M 10X55	19
S532094214513	Case	20
N311129502	Nut M 10	21
N309203544	Screw M 10x45	22
N272731217	V Belt 13x2580 Li BBT	23
N532151118	Engine Pulley 9-3325-289	24



ŘÍDÍCÍ JEDNOTKA

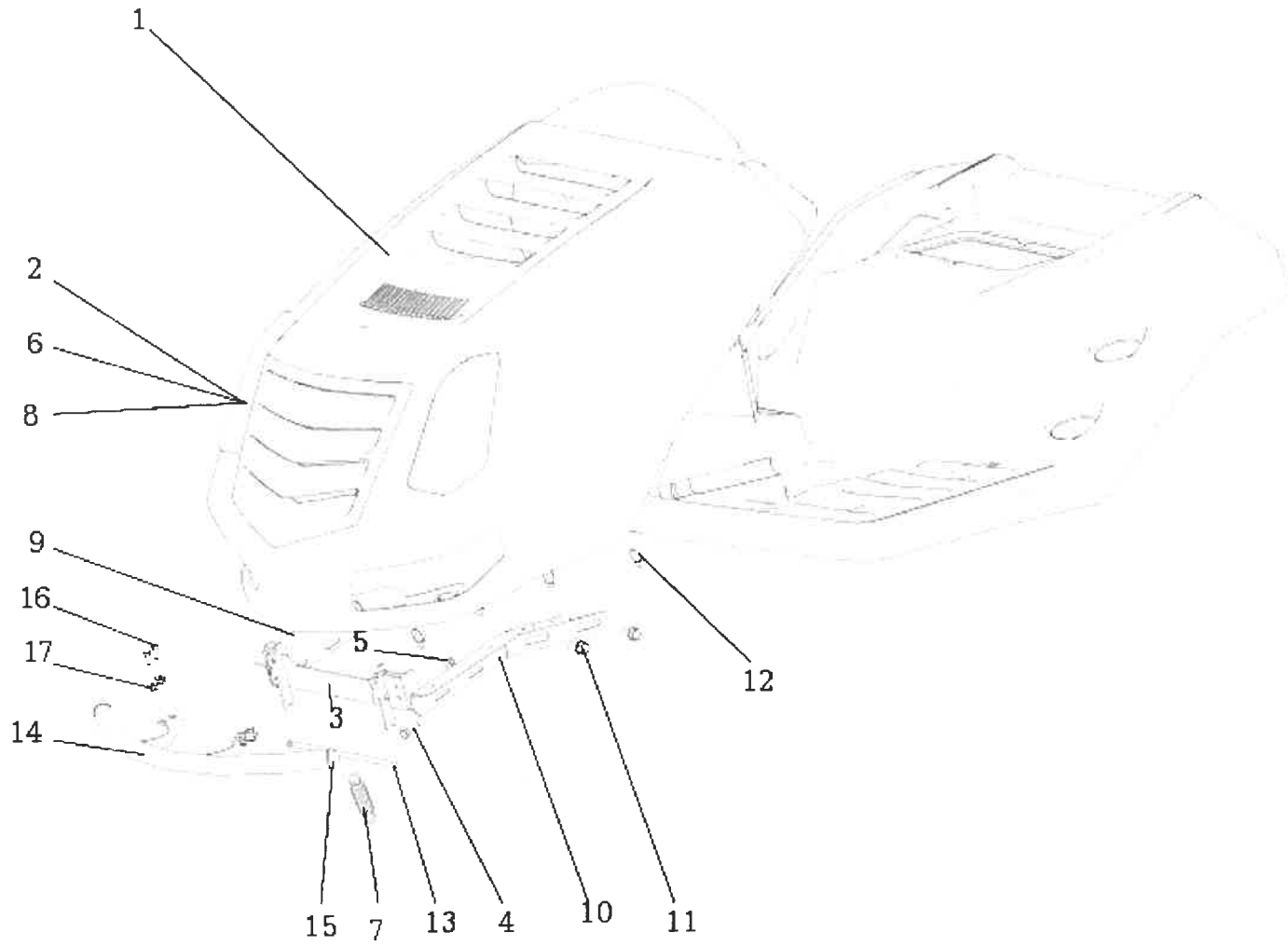


## KAJ13-12-0001- Electrical insta

electrical instalation

N341271052	Protective diodes harness 9-8316-	1
N532150990	Seat switch DELTA 6500-02	2
N341271134	Connecting cable 9-8316-612	3
N341271006	Cable 9-8316-553	4
N341271172	Cable 9-8316-624 SOLENOID+AKUMUL.	5
N341271021	Cable 9-8316-570	6
N346211006	Battery 12V-24Ah dry,charged	7
N341271173	Cable harness KS 004034	8
N341271162	MODUL KS 004022 AJ0410	9
N000532033	Solenoid 12V Clum 94255	10
N345329022	Switch PTO Delta 6201-321	11
N443861007	Switch box Delta 6900-47 P	12
N443433003	Hour-meter SEN DEC DIGITAL	13
N443312022	Light indicator KS 004016	14
N532150994	Switch DELTA 6710-01B	15
N345359004	Microswitch MKH 12 D 13-S1	16

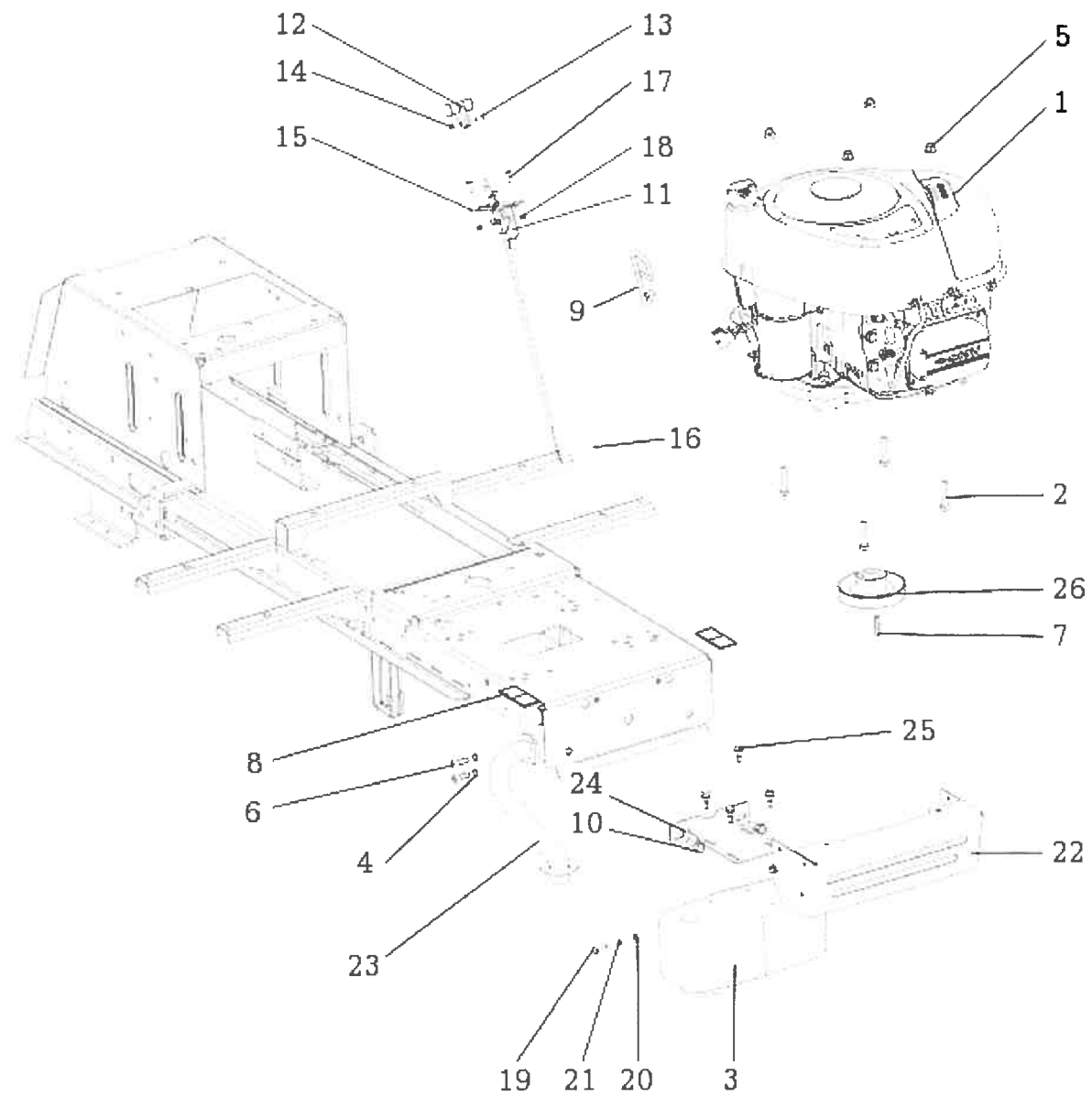




## KAJ21-12-0003- Engine Hood Chal

### engine hood

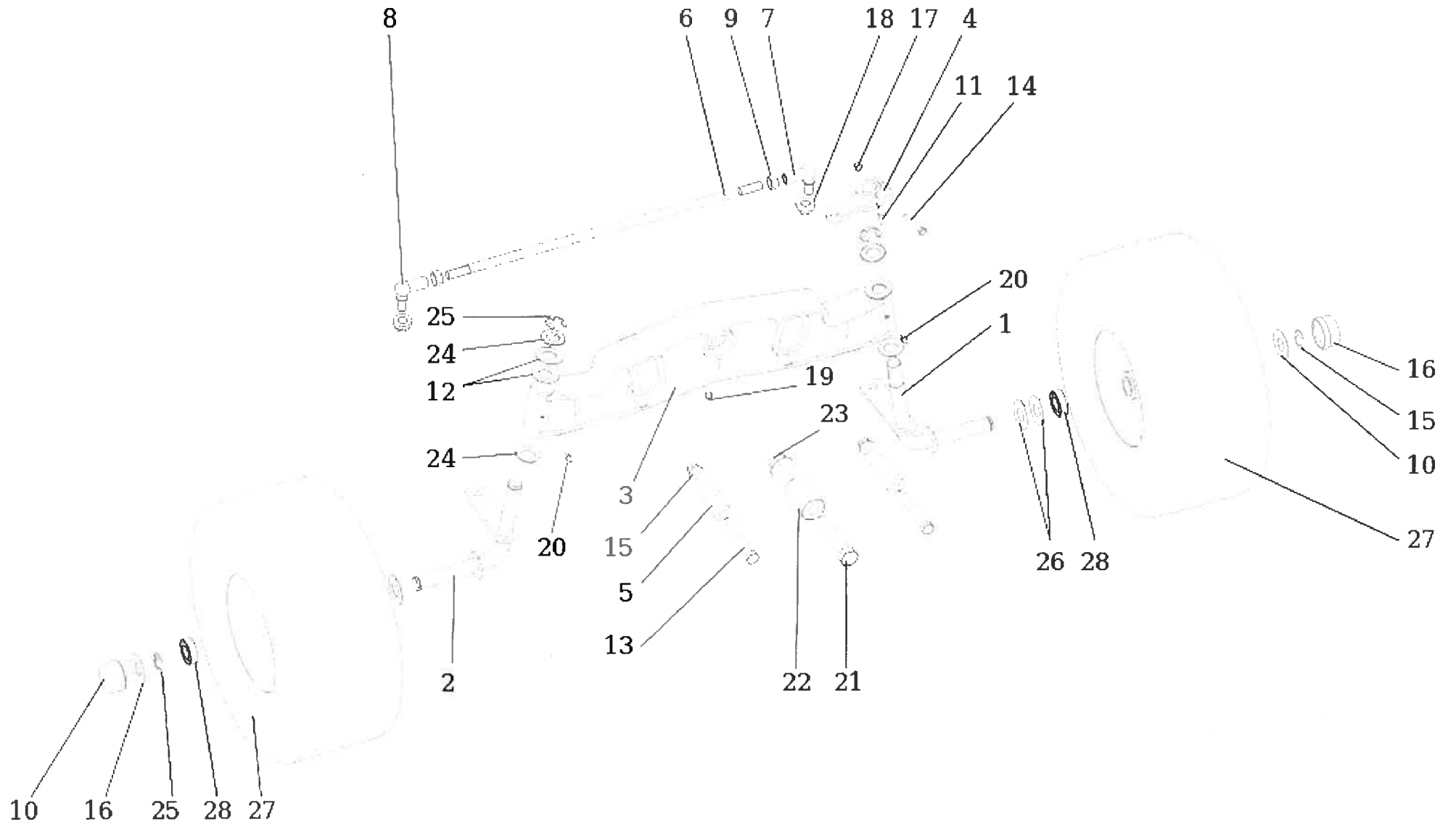
N532151205	HOOD 9-1849-387 CADILAC EFCO	1
N347411002	Halogen lightbulb MR 16 PR.50MM 1	2
S532913405653	Hood holder	3
N309503512	Screw M 8X25	4
N532150290	Nut M 8 DIN 6926 8 Zinc	5
N341271169	Light cable harness 9-8316-623	6
N315231203	Spring 0-9746-472	7
N443953007	Header 9-8316-620	8
S532913368683	Right bracket	9
S532913368693	Left bracket	10
N309578529	Screw M10X25KL100 Ripp. V. DACROM	11
N532150211	Clip WSBH 1-0-1	12
S532013102143	Safety bar	13
S532918962783	Bumper	14
N321841091	Plug 28X1.5-2	15
N309503508	Screw M6X16	16
N311129525	Nut M 6 DIN 6926	17



## KAJ01-12-0002- Engine Powerbuil

engine

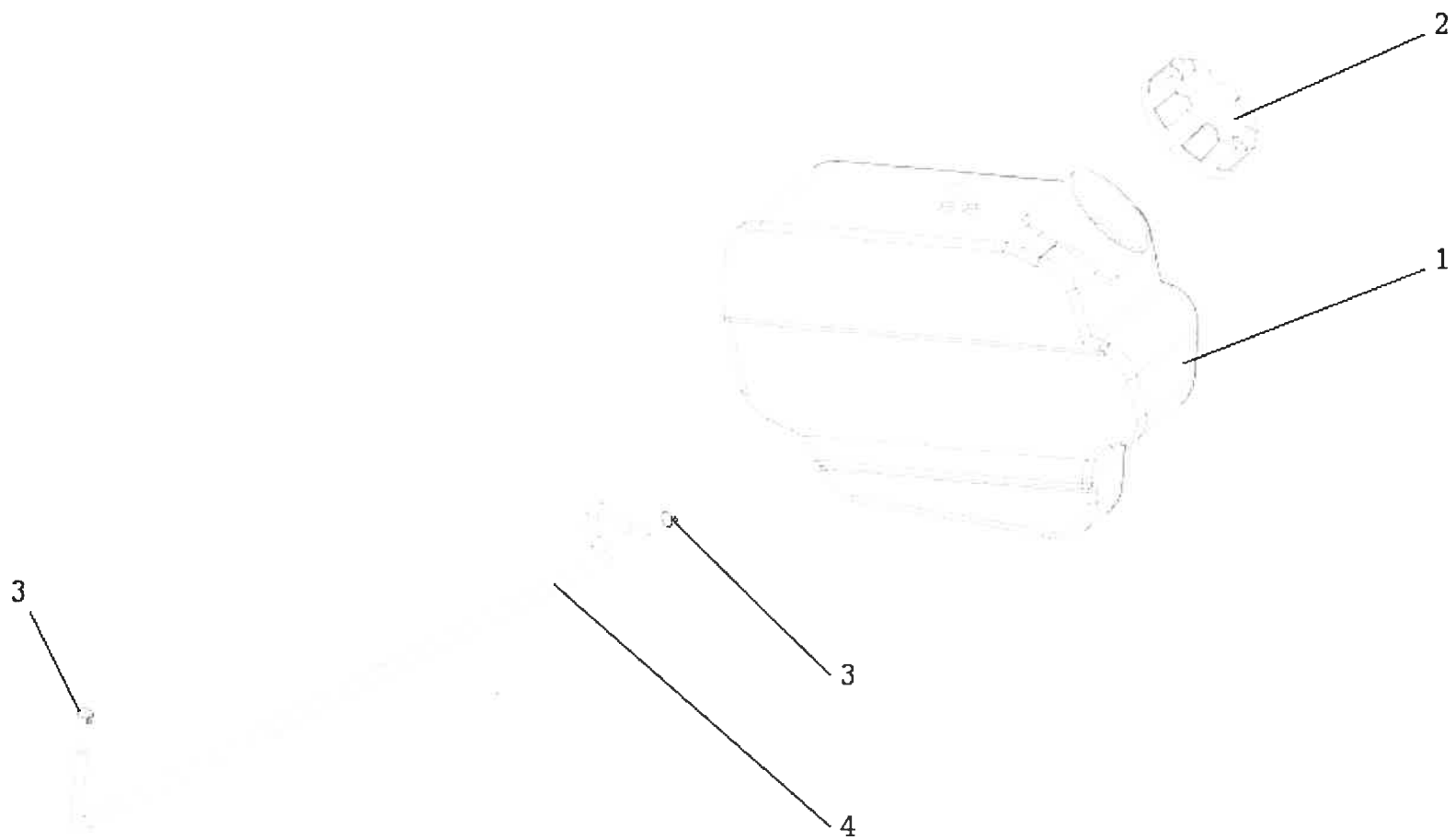
N482349028	Engine POWERBUILT 13 HP	1
N309503544	Screw M 8X40	2
N443900118	Exhaust Nelson 24772 N	3
N311214502	Washer 8	4
N532150290	Nut M 8 DIN 6926 8 Zinc	5
N309579502	Screw vyf.imbus 5/16x3/4 Unc Zinc	6
S532092312133	Spring for engine BS 12+15HP	7
N283292223	Label 0-8732-337	8
N532980071	HOOK 0-9242-240	9
N309503005	Screw M 8X25 KL 100 RIPP V Zinc	10
N000443001	Throttle lever 25-1105 9-8071-275	11
N443900138	Throttle lever 0-8060-239	12
N309231535	Screw M 4X14 021131.25	13
N311129514	Nut M4	14
S532080302873	Reinforcement	15
N311122501	Nut W1/4-20 Unc Zinc.	16
N309251515	Screw M 5X16	17
N311129515	Nut M5	18
N309503508	Screw M6X16	19
N311210502	Washer 6.4	20
N311214501	Washer 6	21
S532085427293	Exhaust cover	22
S532927442413	Complete exhaust pipe	23
S532113405013	Holder	24
N309315016	Screw ST 6.3x19 DIN7504-K BN1880	25
N532151118	Engine pulley 9-3325-289	26



## KAJ03-12-0001- Front axle Chall

front axle

S532916432263	Left pin	1
S532916432273	Right pin	2
S532016542063	Axle	3
S532080503603	Lever	4
S532195203533	Spacer	5
N532980152	conecting rod 0-9010-569	6
N442073020	Angular joint 16 R DIN71802CS M12	7
N442073019	Angular joint 16 L DIN71802CS M12	8
N311120539	Nut M12 left	9
N532150915	Cover 0-8025-237	10
N311728003	Woodruff key 5e7X7.5	11
N311210514	Washer 19	12
N309501527	Screw M 10X80	13
N309203524	Screw M 6X40	14
N311129523	Nut M 10 DIN 6926 Zinc	15
S532092208363	Washer	16
N311129513	Nut M 6	17
N311129521	Nut M 12 DIN 6923 8 Zinc. toothed	18
N425111016	Lubricating head MK 8x1	19
N425111004	Lubricating head MK 6x1	20
N309501524	Screw M 8x90	21
S532093202793	Pin	22
N311129527	Nut M 16 DIN 6926	23
S532092208383	Washer	24
N311732008	Lock ring 15	25
S532092208153	Washer	26
N532940161	Front wheel. 15X6.0-6 2PR TURF SAVER	27
N324196019	Front wheel bearing 3/4 Compensa	28

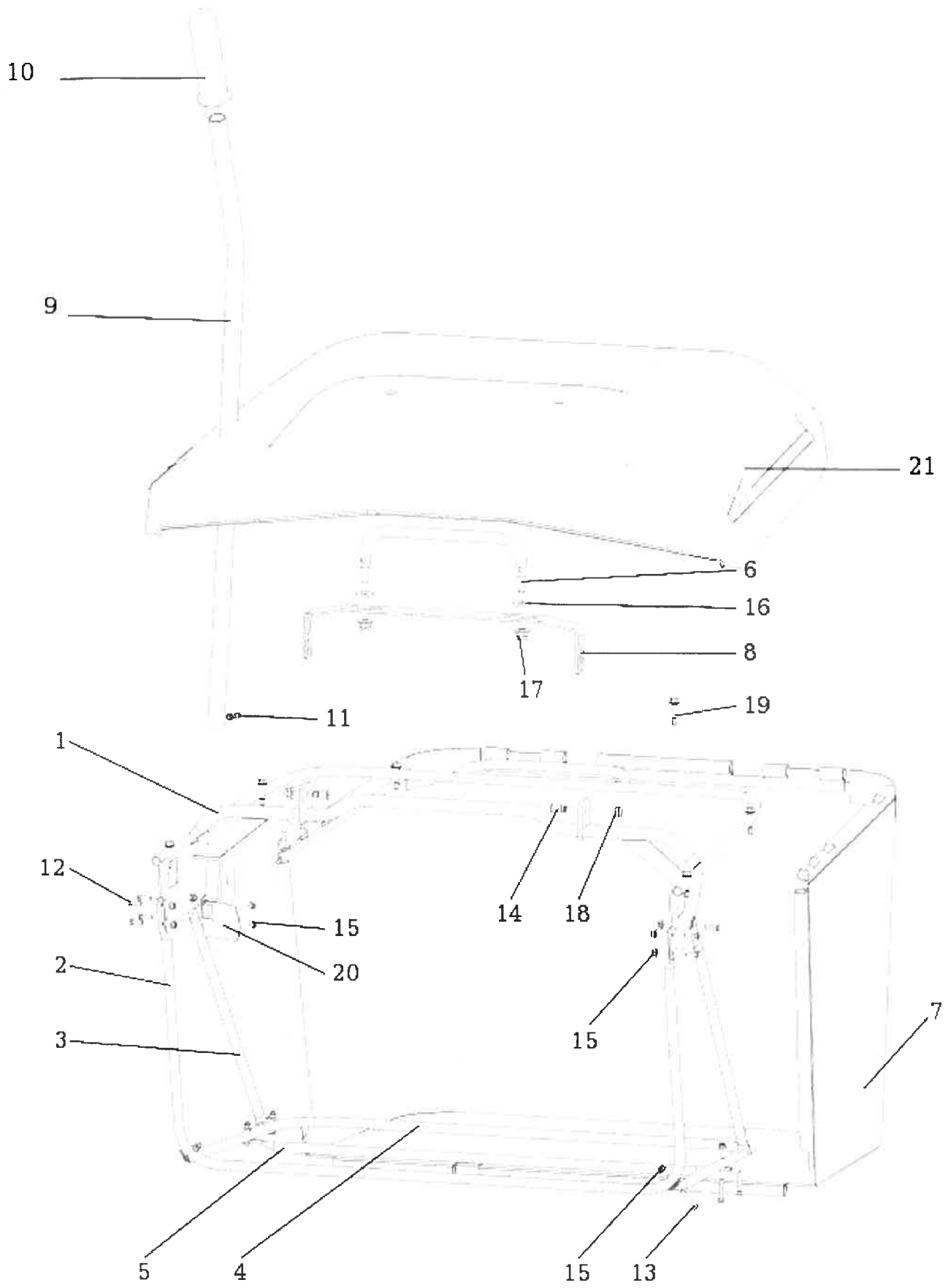


KAJ25-12-0001- Fuel Tank - Chal

fuel tank

N232130004	Fuel Tank 0-2766-204 White	1
N321841017	Cap 9-2725-201	2
N000532058	Clip UM 5008	3
N272392008	Hose 5.5 PHD 21/386-90 11-94	4

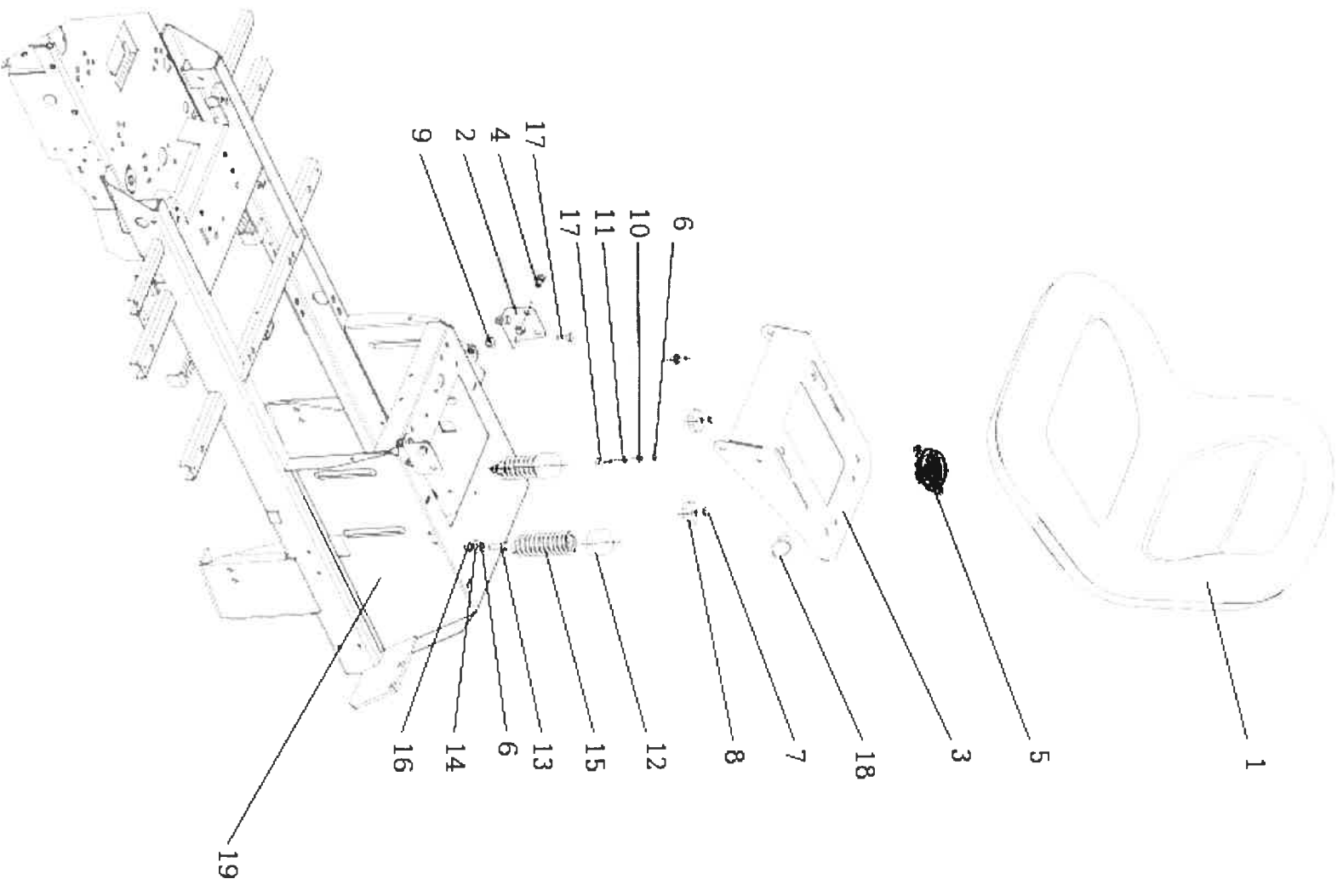




## KAJ16-12-0002- Grass collector

grass collector

S532974472693	Top Frame	1
S532074442233	Front pipe	2
S532074262133	Brace	3
S532074442253	lower pipe	4
S532074262013	Brace	5
S532913463253	Handle compl.	6
N532150135	Grass Bag 9-7432-202	7
S532015408483	Reinforcement	8
S532074202013	Lever Dumping	9
N532151120	Handle MOSS 10189	10
N309203548	Screw M 5X12	11
N309203539	Screw M 5X16	12
N309203555	Screw M 5X30	13
N309578535	Screw M 8X20 BN 1206	14
N311129524	Nut M 5 DIN 6926 Zinc	15
N311212040	Rondelle De Poignee	16
N311129523	Nut M 10 DIN 6926 Zinc	17
N532150290	Nut M 8 DIN 6926 8 Zinc	18
N309315013	Screw ST 6.3X32 DIN 7504 K	19
S532097402233	Grass box-spring Snapper	20
N532151199	Cover 0-7447-275 CADILAC	21



## KAJ11-12-0001- Hood n.1 Challen

hood 1

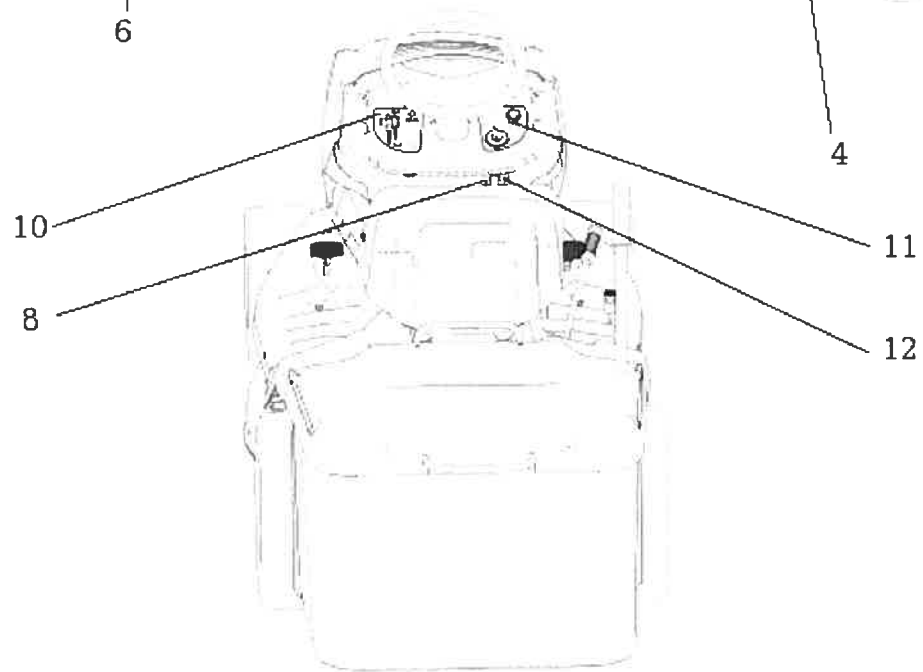
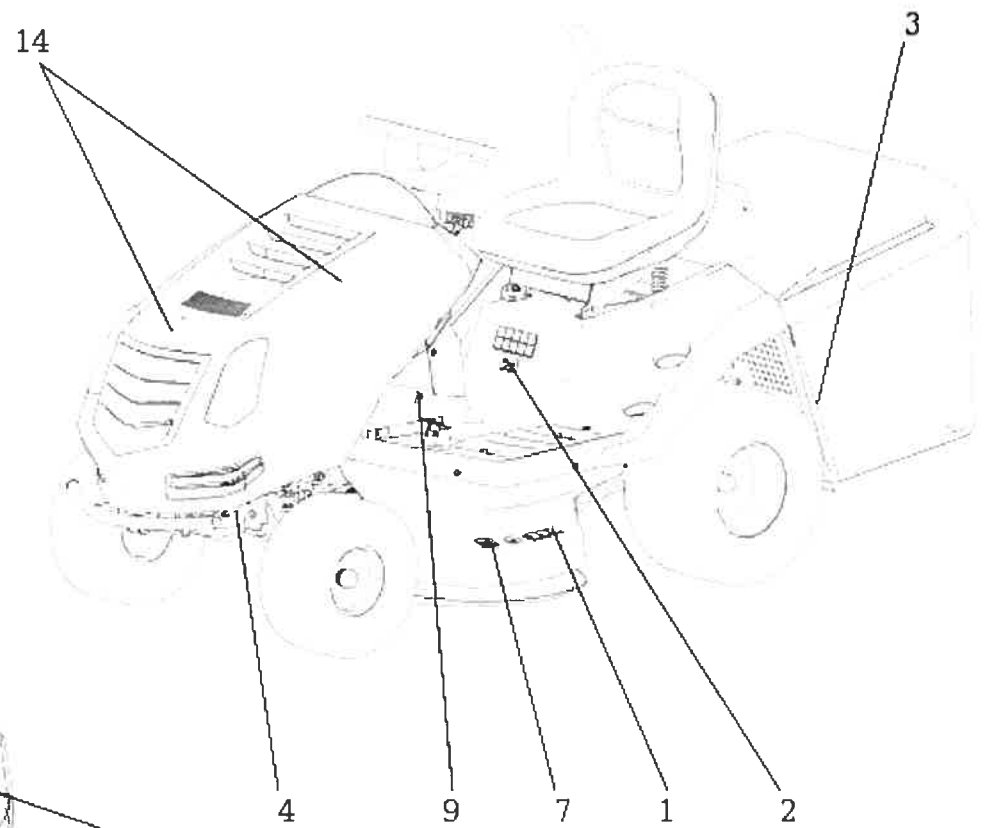
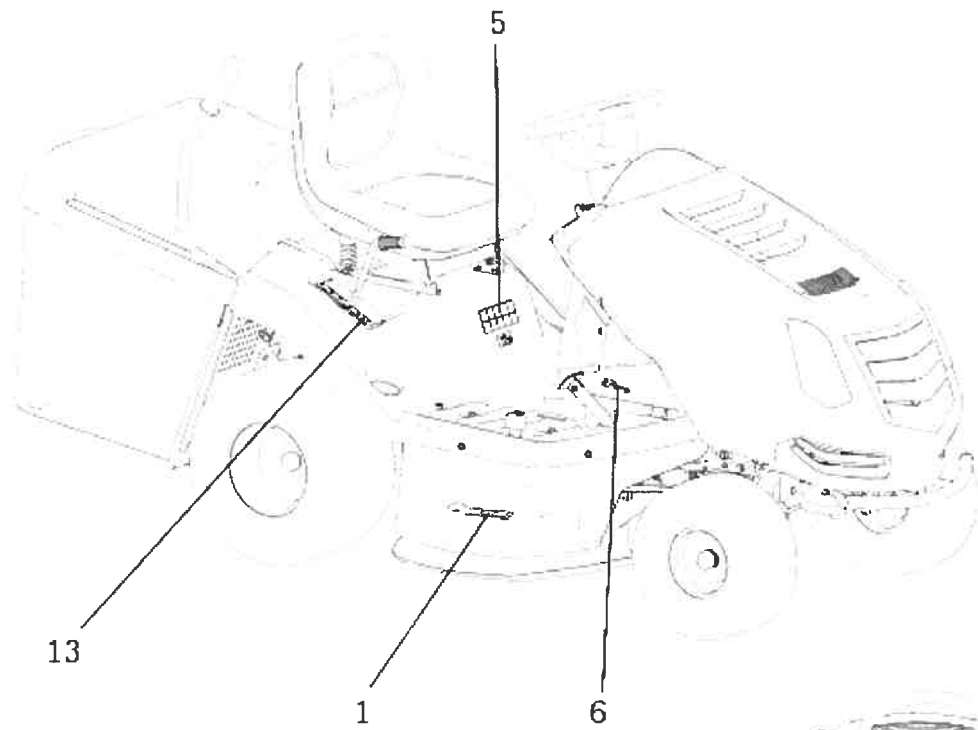
N532150991	Seat XH 150 MILSCO	1
S532113402403	Carrier holder	2
S532018472433	Seat carrier	3
N309599012	Carrier screw 0-9016-427	4
N532150990	Seat switch DELTA 6500-02	5
N311219002	Washer BN 739 8X12X2	6
N311213503	Washer 8.4 Zink	7
N532150213	Stopping nut M8x18 PR.40 black	8
N532150290	Nut M 8 DIN 6926 8 Zinc	9
N311210503	Washer 8.4	10
N311214502	Washer 8	11
N532150208	Cover 38/A PVC Black	12
N309503512	Screw M 8X25	13
N311212517	Washer 9 Zinc	14
N315231124	Spring 0-9746-434	15
N311129501	Nut M 8	16
N309503518	Screw M8X20	17
N532150211	Clip WSBH 1-0-1	18
S532912962813	Complete FRAME 92	19



## KAJ15-12-0003- Panel Challenge

hood 3

N532151187	PANEL 9-8048-201 CADILAC	1
N532151198	Cover 0-8547-807	2
N532151188	Floor 9-1847-335 CADILAC	3
N309578012	Screw M 8X30 DIN 6921 8.8 Zinc	4
N341271162	MODUL KS 004022 AJ0410	5
N000532033	Solenoid 12V Clum 94255	6
N532151116	Rivet 282702	7
N283292228	Label 0-8732-336	8
N283292159	Label 0-8732-251 Slope	9
N324196022	Bearing FL M12	10
N309503548	Screw M 6X20	11
N311210502	Washer 6.4	12
N311129513	Nut M 6	13
N273125006	Cover 273 125 020 050	14
N532150211	Clip WSBH 1-0-1	15
N309503512	Screw M 8X25	16
N309203539	Screw M 5X16	17
N311129524	Nut M 5 DIN 6926 Zinc	18
N321841082	Blind flange BS 11/15 black	19
N321841069	Steering wheel bushing 0-1652-226	20
N309578503	Screw M 6X25 DIN7991 10.9 Zinc	21
S532113415583	Holder	22
S532096342193	Seam lace	23
S532113404693	Holder	24
N273121027	Rubber sleeve 22X2	25
N315238005	Flexible spindle 0-9245-233	26
NK00000000	Not used in this performance	27
NK00000000	Not used in this performance	28
N532151194	Case 0-8642-236	29
N345329022	Switch PTO Delta 6201-321	30
N443861007	Switch box Delta 6900-47 P	31
N443900137	Starting key DELTA 688P-001	32
N443433003	Hour-meter SEN DEC DIGITAL	33
S532016422283	Column	34
N309503517	Screw M 8X16	35
N443312021	Buzzer PF 27 A 29 EP	36
N283292796	Label 0-8732-943 PANEL L	37
N283292797	Label. 0-8732-944 PANEL P	38
N443312022	Light indicator KS 004016	39
S532113425353	Battery Holder	40
N309503559	Screw M8x45	41
N311129501	Nut M 8	42
N532150290	Nut M 8 DIN 6926 8 Zinc	43
N311129525	Nut M 6 DIN 6926	44
N309503508	Screw M6X16	45
N532150903	Seating D7-201-802-010	46
N532150904	Stud D7-201-711-010	47
N321841093	Blind G 20X15 (EUROPLAST)	48

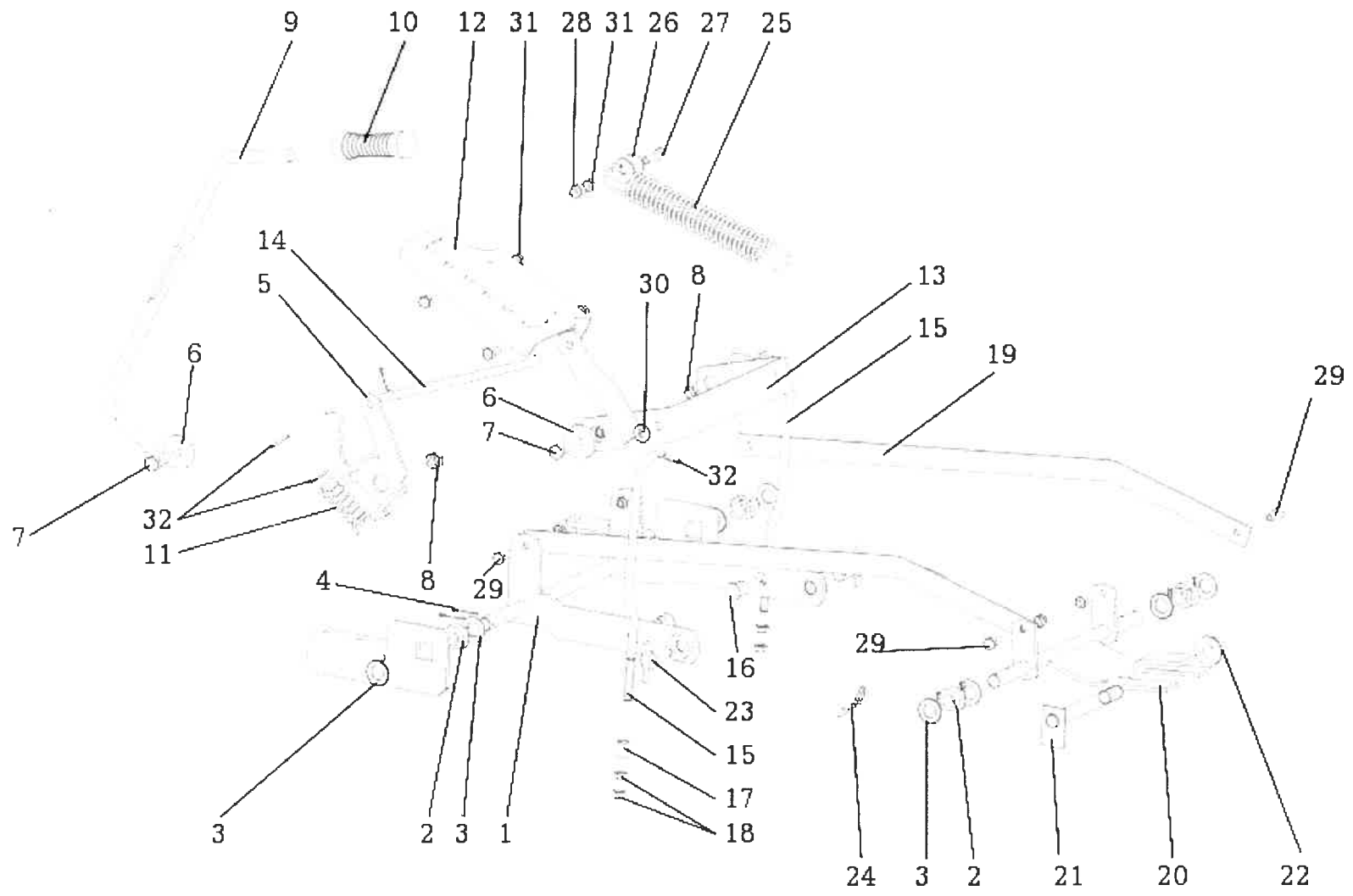


## KAJ14-12-0002- Labels Challenge

### labels

N283292121	Label 0-8730-510	1
N283292159	Label 0-8732-251 Slope	2
N283292192	Label 0-8732-311	3
N283292223	Label 0-8732-337	4
N283292228	Label 0-8732-336	5
N283292327	Label 0-8732-444	6
N283292437	Label 0-8732-559 Noise	7
N283292696	Label 0-8732-841	8
N283292697	Label 0-8732-842	9
N283292796	Label 0-8732-943 PANEL L	10
N283292797	Label 0-8732-944 PANEL P	11
N283292798	Label 0-8732-952 red	12
N283292799	Label 0-8732-939 Lifting	13
S532000000000	Customer labels set	14

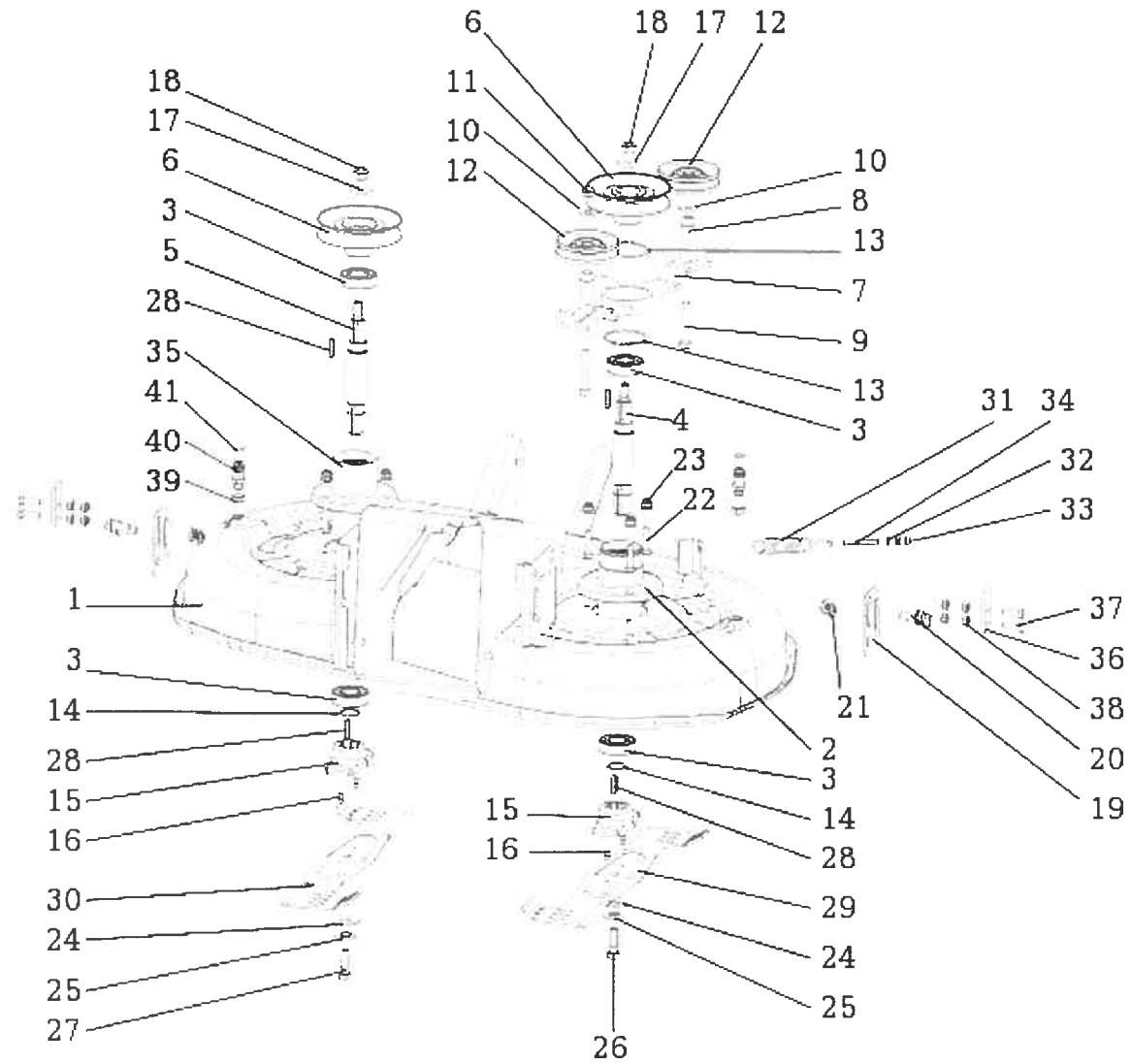




## KAJ06-12-0001- Mowing lifting -

mowing lifting

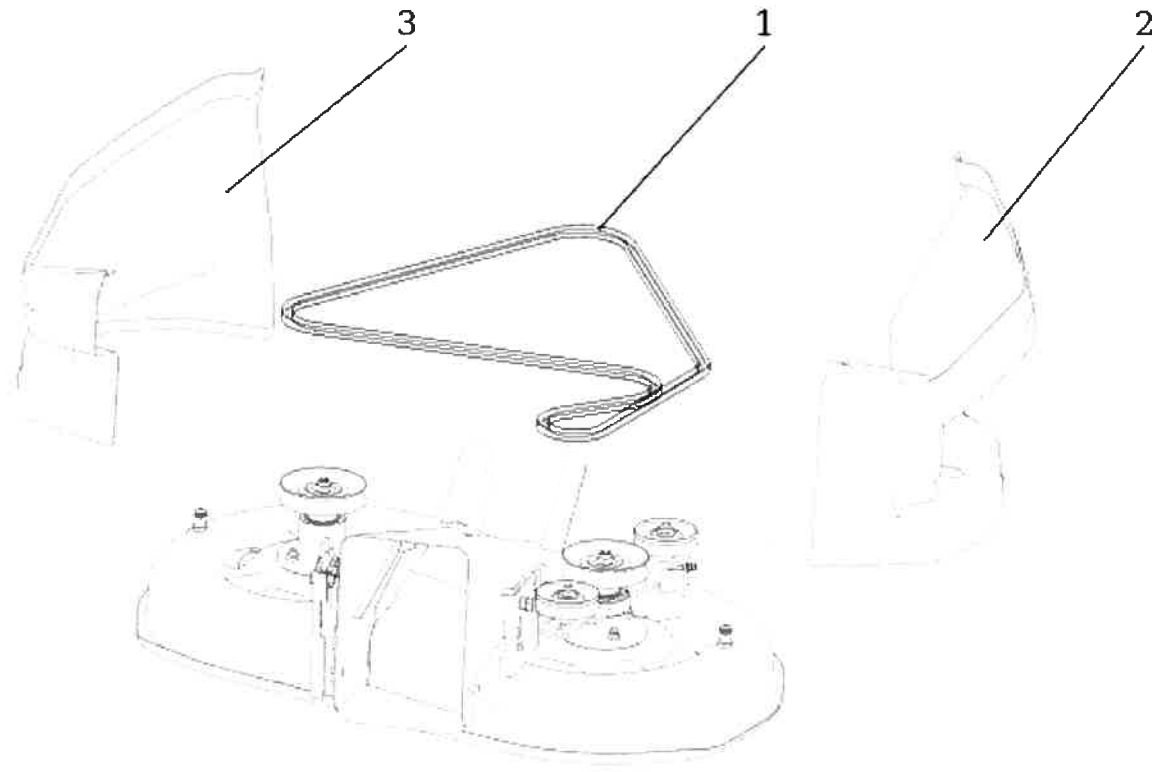
S532980508243	Lifting Arms	1
N722643023	Bushing 0-9462-202	2
N311210507	Washer 17	3
N311338517	Spindle 3.2x25	4
S532113415563	Lever holder	5
S532092212293	WASHER	6
N309503510	Screw M 10X30	7
N311129502	Nut M 10	8
S532980412173	Lifting lever	9
N532151195	Handle 511-035-14 (32X114)	10
N315231265	Spring 0-9746-504 lifting	11
S532113425333	Lifting segment	12
S532913413293	Lifting holder	13
N532151192	Lifting rod 0-8041-324	14
N532151193	Lifting rod 0-8042-265	15
S532090164633	Pin complete	16
S532095213823	Spacer	17
N311150506	Nut M 10	18
S532080323323	Rod	19
S532913424353	Lifting Arms	200
S532938122573	Shaft	21
N311129527	Nut M 16 DIN 6926	22
S532993462343	Pin complete	23
N315238003	Flexible spindle 0-9245-999	24
N315231193	Spring 0-9746-460	25
N311212508	Washer 9 Zinc	26
N309503543	Screw M 8X35	27
N532150290	Nut M 8 DIN 6926 8 Zinc	28
N309503512	Screw M 8X25	29
N311210504	Washer 10.5	30
N311129501	Nut M 8	31
N311338516	Spindle 3.2x20	32



## KAJ20-12-0001- Mowing unit no.1

## mowing unit 1

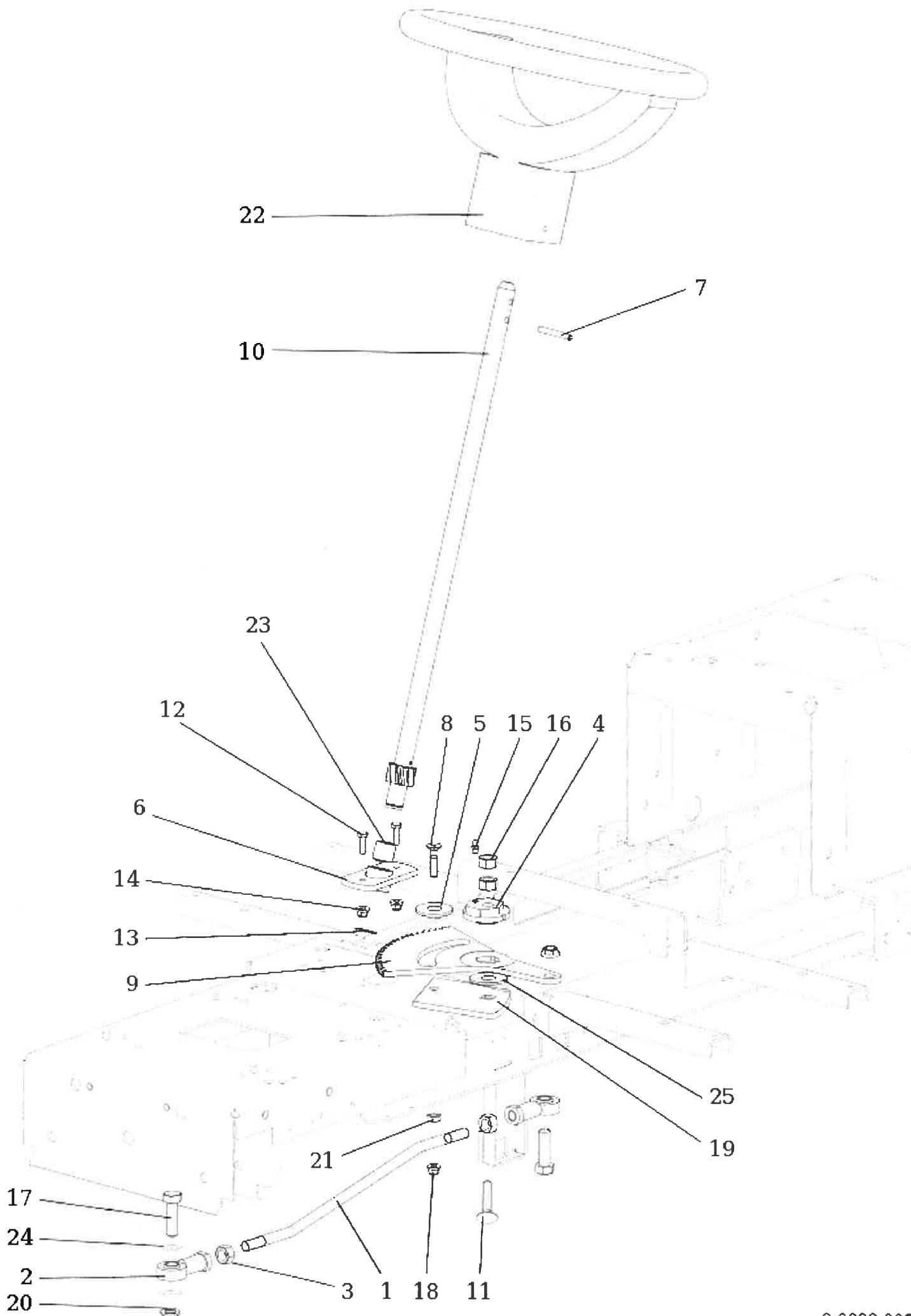
S532950472283	Cover 92/2011	1
S532038523923	Flange	2
N324162099	Bearing 6205 2 RS C 66IB	3
S532038128403	Shaft	4
S532038128413	Shhaft	5
N532151209	Complete pulley 9-3325-293	6
S532913413303	Tensioner pulley holder	7
S532094214173	Boccola	8
N309503519	Screw M 10X60	9
N311212521	Washer 11 Zinc	10
N311129502	Nut M 10	11
N532150784	Pulley Compensa C-00237/2	12
N311733032	Safety ring 60	13
N311733014	Lock ring 25	14
S532098212403	Flange	15
N532980077	Shear Stud 0-9311-736	16
S532092207273	Washer	17
N311129505	Nut M 12	18
S532014417293	Foot	19
N309578529	Screw M10X25KL100 Ripp. V. DACROM	20
N311129522	Nut M10 RIPP KL 10 BN 2798	21
N309503543	Screw M 8X35	22
N532150290	Nut M 8 DIN 6926 8 Zinc	23
N311219503	Washer BN 806-40x16.3x2x3.1	24
S532092207493	Washer	25
N309599008	Screw 0-9011-283 M10 Left	26
N309599017	Screw 0-9011-287 M10	27
N311726091	Key 6E7X6X28	28
S532050422843	Right blade	29
S532050422833	Left blade	30
N315231234	Spring 0-9746-490	31
N311210502	Washer 6.4	32
N311150504	Nut M6	33
N309578523	Screw M 6x80 with eye BN1006 Zinc	34
S532038523933	Flange	35
S532114327243	Foot	36
N309503512	Screw M 8X25	37
N311129501	Nut M 8	38
N311120511	Nut M 12	39
N532150533	Quick fastener 0-9026-246	40
N273111057	Ring 10.78X2.62 NBR 70-SH	41



KAJ23-12-0001- Mowing unit n.2

mowing unit 2

N272731234	V-BELT AA 85 POWER TYP 313	1
N532151208	Belt cover 0-8547-809 R	2
N532151207	Belt cover 0-8547-808 L	3

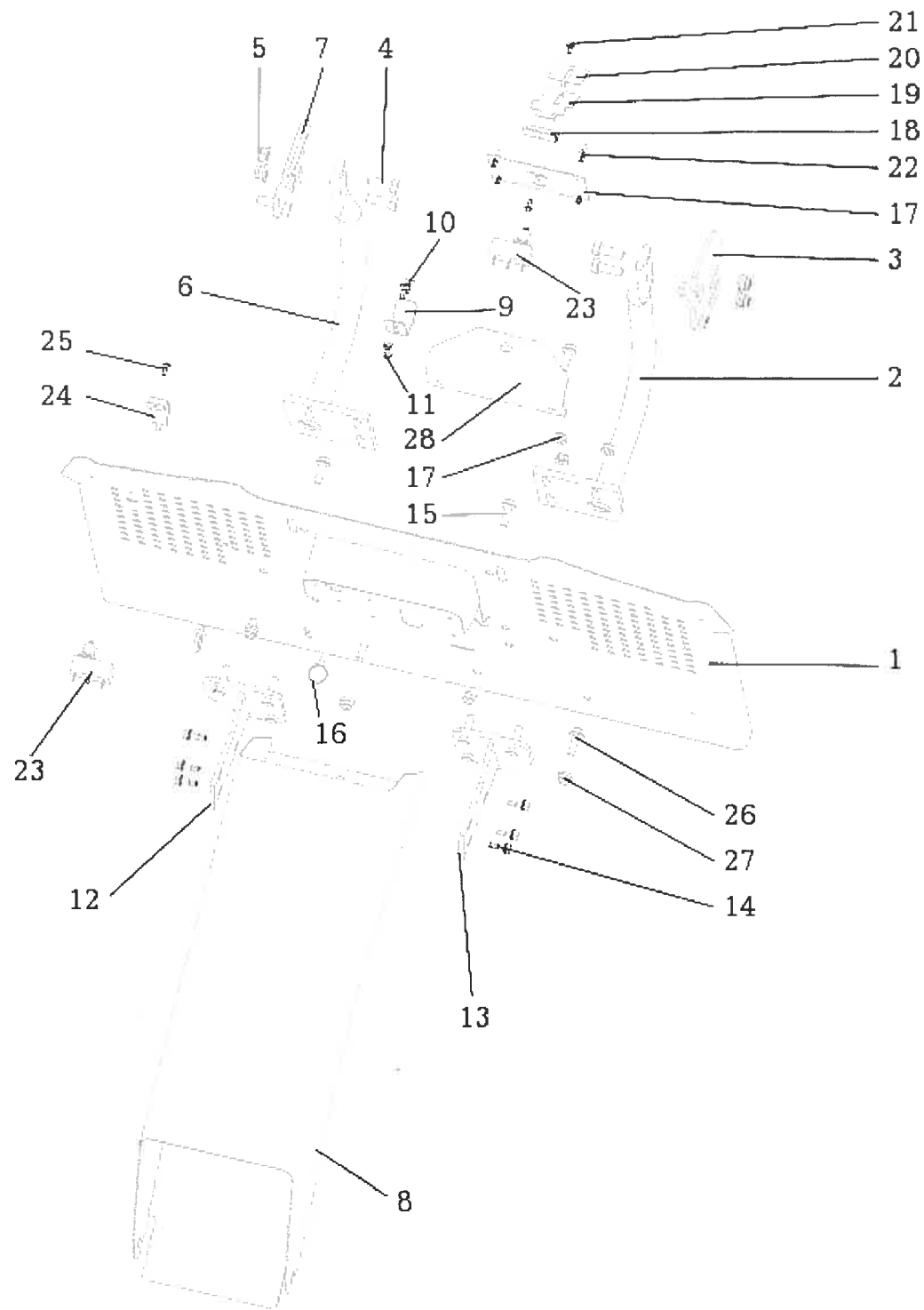


## KAJ05-12-0002- Steering Challen

steering

N532980153	Control rod 0-8041-321	1
N442073028	Joint head PHS 12 CN	2
N311150505	Nut M 12	3
S532080272033	Eccentric	4
S532195202593	Spacer	5
S532938542093	Bearing	6
N315238031	Spring pin 6x45	7
N309578534	Screw M 8x35 DIN 7991 10.9 Zinc	8
S532033322433	Toothed segment	9
S532930252193	Complete pinion	1
N309019522	Screw M 12X55.8.8 A3L ISO 8677	11
N309503548	Screw M 6X20	12
N311733607	Lock ring 19	13
N311129525	Nut M 6 DIN 6926	14
N425111004	Lubricating head MK 6x1	15
N311150505	Nut M 12	16
N309503505	Screw M12X40	17
N311120520	Nut M 8	18
S532113326273	Washer	19
N311129521	Nut M 12 DIN 6923 8 Zinc. toothed	20
N311129520	Nut M8 DIN 6923 8 Zinc. toothed	21
N443821004	Steering wheel M 2000	22
N323721002	Bushing 1920 KU	23
N311214504	Washer 12	24
S532092208663	Washer	25





## KAJ17-12-0002- Tunnel Challenge

tunnel

S532974422323	Rear Board	1
S532974432483	Left holder AJ 92	2
S532913369663	Left holder	3
N309503510	Screw M 10X30	4
N311129523	Nut M 10 DIN 6926 Zinc	5
S532974432463	Right Holder AJ 92	6
S532913369653	Right holder	7
S532974472703	TUNNEL AJ 92	8
S532097464993	Spring	9
N309019514	Screw M 5X16 Zinc	10
N311129524	Nut M 5 DIN 6926 Zinc	11
S532913405663	Board holder right	12
S532913405673	Board holder left	13
N309315017	Screw ST 6.3X25 DIN7504-K BN1880	14
N309503005	Screw M 8X25 KL 100 RIPP V Zinc	15
N532150211	Clip WSBH 1-0-1	16
S532114307883	Board	17
S532113404683	Holder	18
S532014414733	Board	19
S532014414743	Board	20
N309315012	Screw ST 4,2X13 DIN7504-K BN1880	21
N532150984	Rivet slide-in D=10 PH=6	22
N345359004	Microswitch MKH 12 D 13-S1	23
S532085415813	Switch cover	24
N309315012	Screw ST 4,2X13 DIN7504-K BN1880	25
N309578011	Screw M 8X25 DIN 6921 8.8 Zinc	26
N532150290	Nut M 8 DIN 6926 8 Zinc	27